

**N NARGESA®**

POWER HAMMER

**MP60**



manufacturing industrial machinery

# POWER HAMMER

Power hammers or pile drivers MP NARGESA, are manufactured in welded and mechanized steel sheet. They are used in many blacksmith workshops to make all kinds of forging ornamental pieces which eases the job of moulding hot steel. Different tooling are used: for inlaying, moulding, cutting, piercing, riveting, embossing, in all kinds of metals.

## GET A QUOTE

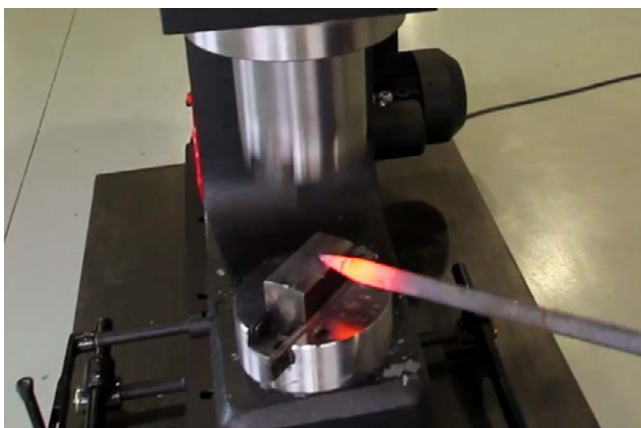
Please complete the following form. We'll contact you in less than 24 hours.  
*Business days.*

## HOW IT WORKS VIDEO

Video on how the machine works.

# TECHNICAL FEATURES

The Drop Hammer MP60 with compressor incorporated, to make all kind of pieces for the ornamental forging. It's got 60 kg stroke.



- > Compressor incorporated: No need for any external compressor.
- > Frame made of welded and mechanized steel, it isn't made of casting.
- > Automatic greasing system.
- > Cylinders made of GG21 to ensure a good performance.
- > Orientable cylinder to ease up the operative work.
- > Front protection against any projections.
- > Protection for the driving pedal.
- > Electric protection of the engine.
- > Emergency stop.
- > Moulds made of a special steel to stand big impacts at quite high temperatures.
- > Great variety of tooling and exchangeable moulds.
- > Manufacturing of tooling as requested.

## > Nominal dropping weight

60 Kg.

## > Strokes per minute

220.

## > Strokes maximum displacement

230 mm.

## > Maximum round working capacity

70 mm.

## > Maximum square working capacity

60x60 mm.

## > Engine power

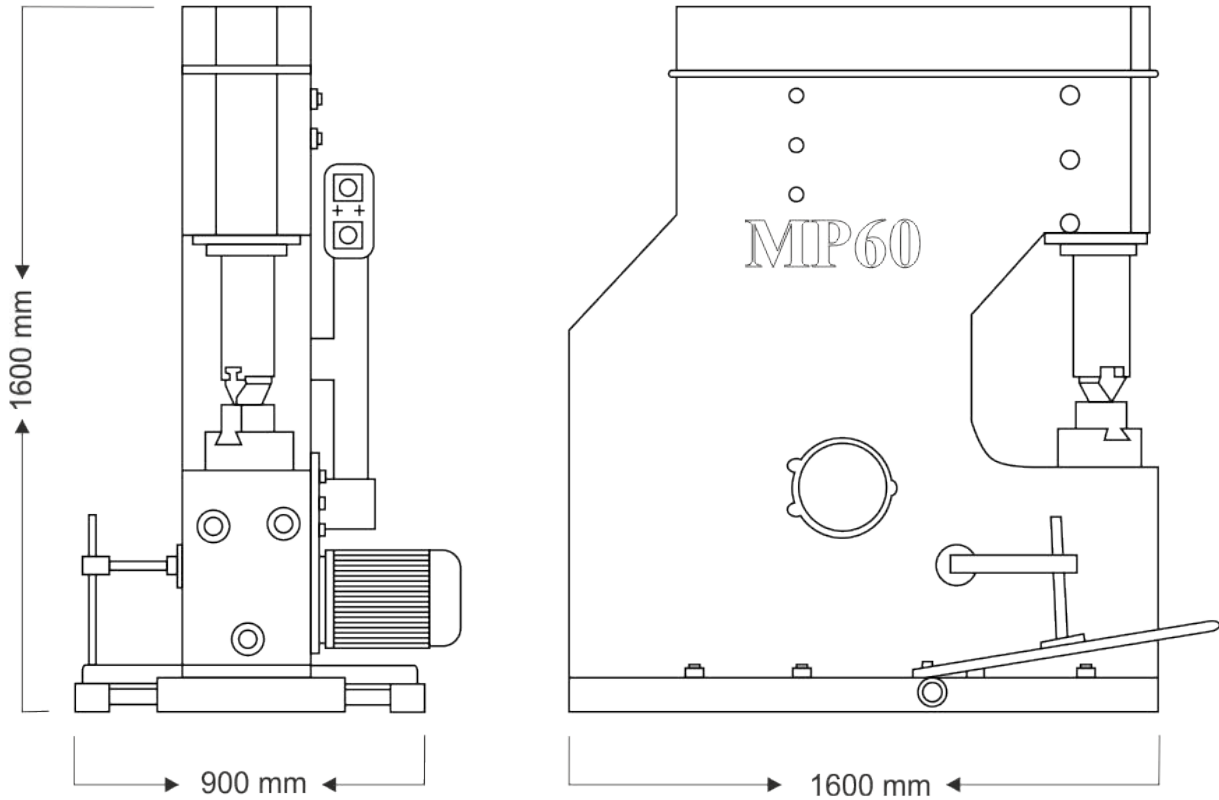
5,5 Kw.

## > Weight

1190 Kg.

*\* All our products are manufactured in our facilities in Spain. The hydraulic and electrical components are all standard from the best leading European trademarks, with technical assistance all over the world: Rexroth, Bosch, Roquet, Schneider Electric, LG, Telemecanique, Pizzato etc...*

## OUTSIDE DIMENSIONS



## PACKAGING CHARACTERISTICS

- Tariff Item Code: 84621090
- Lower bench palletized to easily transport the machine to the workplace or store it in case of lacking space.
- The machine is shipped fully assembled.
- Pallet made of steel and 3 layer cardboard box suitable for seafreight.
- Optional: Fumigated wooden box NIMF15.

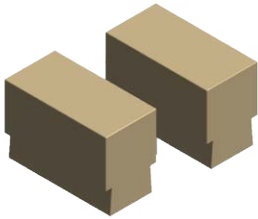
### MP60

Width	1000 mm
Depth	2200 mm
Height	1820 mm
Volume	4,01 m <sup>3</sup>
Net Weight	1190 Kg
Gross Weight	1248 Kg

# STANDARD ACCESSORIES DELIVERED WITH THE MACHINE

## Standard flat mould

---

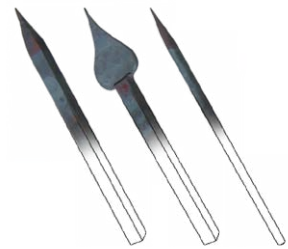


**REF:** 140-14-01-00001

- > All our Power-hammers or Martinetes MP Nargesa are equipped with an upper standard flat tooling and lower one.
- > This tooling is the most versatile one and it's bond to the operatives skilfulness.
- > It's made of a special treated steel to stand hard strokes at very high temperatures.

**N° of pieces:** 2

**Dimensions:** 60x120x85



## OPTIONAL ACCESSORIES

### Optional tooling MP60

---



- > All models of power-hammers MP have a wide catalogue of moulds to make all kind of pieces. We also manufacture tooling as requested to make parts according to the customer's design.
- > In the PDF file you will be able to download the list of standard moulds we can offer.



Standard moulds

# OUR RANGE OF MACHINERY



IRON WORKERS



SECTION BENDING  
MACHINES



NON-MANDREL PIPE  
BENDER



HORIZONTAL PRESS  
BRAKES



TWISTING/SCROLL  
BENDING MACHINES



HYDRAULIC PRESS  
BRAKES



HYDRAULIC SHEAR  
MACHINES



GAS FORGES



IRON EMBOSING  
MACHINES



END WROUGHT IRON  
MACHINES



BROACHING MACHINES



POWER HAMMERS



PRESSES FOR LOCKS

## WARRANTY

Nargesa machines have 3 years warranty provided that the customer registers it in our website. Otherwise it would be only one year warranty. This one encloses any manufacturing default all along these 3 years for components. Any misuse is excluded from this condition. Labor, back and forth shipping and any eventual repair, are not included in this warranty.

Partner companies.



## SHIPMENT EVERYWHERE

Nargesa will arrange transport up to final destination, whenever the customers asks for so. There is also the possibility for the customer to arrange the shipment himself with his own agency.

## TECHNICAL ASSISTANCE

All our customers have access to technical support quickly and efficiently.

90% of incidences are solved out on the phone, mail, Skype or video conferencing in less than 24hours. In case of needing presencial technical assistance, we may as well send a technician to the customer's facilities.

Follow us on

---

### PRADA NARGESA, S.L.

Ctra. De Garrigàs a Sant Miquel s/n  
17476 Palau de Santa Eulalia (Girona) Spain  
Tel. +34 972 568 085

[www.nargesa.com](http://www.nargesa.com)

[nargesa@nargesa.com](mailto:nargesa@nargesa.com)



---

This information might undergo changes