



SECTION BENDING MACHINES

MC150B



50 years
manufacturing industrial machinery



HOW IT WORKS VIDEO

Video on how the machine works.

GET A QUOTE

Please complete the following form. We'll contact you in less than 24 hours.

Business days.

SOME OF OUR CUSTOMERS

Our customer's endorsement is our best business card



CERTIFICATES AND ACCREDITATIONS

Some of the certificates that support our processes and benefit our customers



INNOVATIVE SME

Valid until May 31st 2026



**CONCESSION
OF AUTHORIZED
EXPORTER
AUTHORIZATION**

ESEAOR23000312

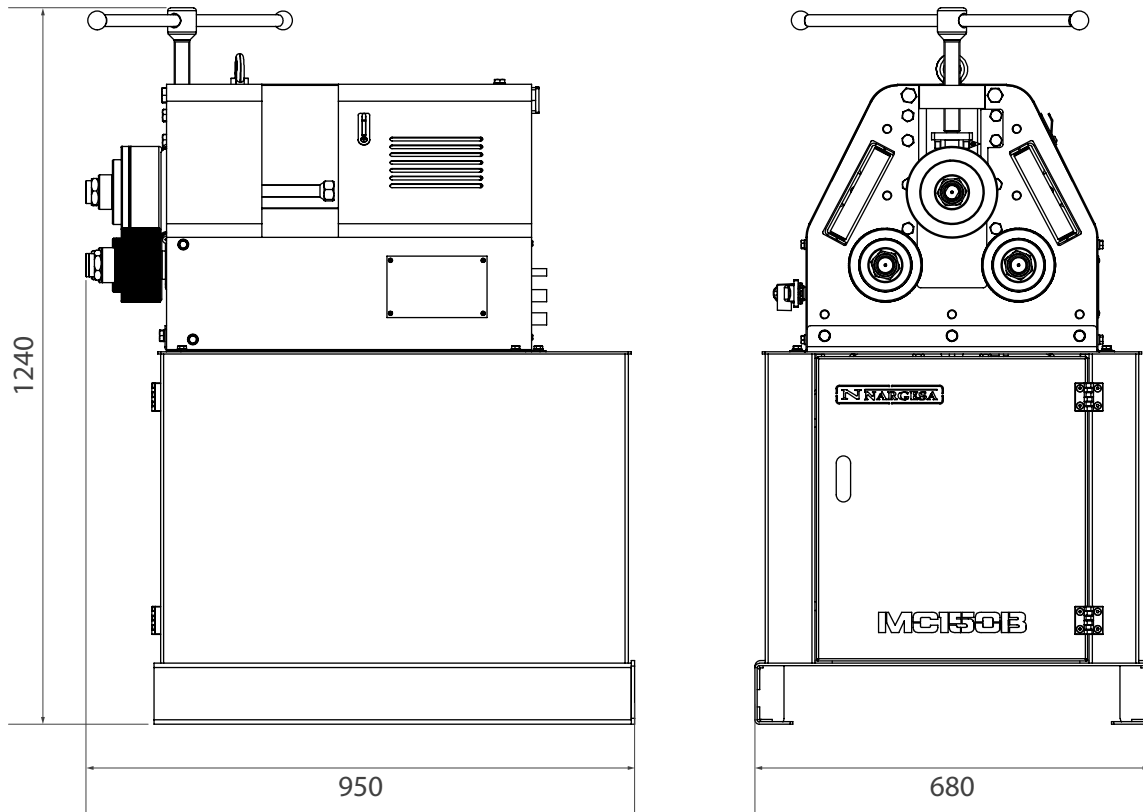
TECHNICAL FEATURES

The pipes and profiles pyramidal bending machine Nargesa MC150B is made of machined steel, with two traction rollers, hardened gear transmission. Maximum capacity for bending round pipe: 2 inches or 50 mm.

- > Diameter of axes: 40 mm.
- > Useful axes length: 74 mm.
- > Center distance between lower axes: 230 mm.
- > Maximum capacity for bending round pipe: 2 inches or 50 mm.
- > Bending regulation by the upper shaft, which allows to curve tube and profile dimensions and profiles of large diameter without deformation.
- > We supply the section bending machine MC150B with 9 rollers and standard washers, that can be combined and make all kinds of profiles.
- > Millimeter scale for bending in the upper shaft.
- > Two working positions, horizontal and vertical in the same workbench.
- > Correction rollers on the sides to control the bending deformation when making spirals and spiral staircases.
- > Base cupboard for rollers and accessories.
- > Motor Power: 0.75 KW / 1 HP.
- > Voltage supply: Single phase 230 V.
- > For other voltages, contact the manufacturer.
- > Rollers speed: 6 RPM

** All our products are manufactured in our facilities in Spain. The hydraulic and electrical components are all standard from the best leading European trademarks, with technical assistance all over the world: Rexroth, Bosch, Roquet, Schneider Electric, LG, Telemecanique, Pizzato etc...*

OUTSIDE DIMENSIONS



PACKAGING CHARACTERISTICS

- Tariff Item Code: 84622990
- Lower bench palletized to easily transport the machine to the workplace or store it in case of lacking space.
- The machine is shipped fully assembled.
- Pallet made of steel and 3 layer cardboard box suitable for seafreight.
- Optional: Fumigated wooden box NIMF15.

MC150B

Width	700 mm
Depth	950 mm
Height	1250 mm
Volume	0,83 m ³
Net Weight	270 Kg.
Gross Weight	280 Kg.

BENDING CAPACITY

The dimensions shown in the following table are provided for guidance only; they are directly related to the hardness and quality of the pipe or profile.



	MC150B		MC200		MC400		MC200H	
Profile	Dim.	Min. radius	Dim.	Min. radius	Dim.	Min. radius	Dim.	Min. radius
	50x10	300	50x10	300	50x10	250	60x10	200
	60x20	200	80x20	150	80x20	150	80x20	150
	25x25	200	30x30	200	30x30	150	30x30	150
	50x50x3 40x40x3	700 350	50x50x3 40x40x3	600 300	50x50x3 40x40x3	600 300	50x50x3 40x40x3	450 300
	40	200	40	200	40	150	40	200
	40	250	40	250	40	200	40	250
	40	300	40	300	40	250	40	250
	50	200	60	300	60	225	60	225
	50	250	60	300	60	225	60	225
	40	500	40	420	40	200	40	300
	25	180	30	150	30	150	30	150
	50,8x3* =2"x3* 40x2*	600 600 300	63,5x3* =2" 1/2x3* 40x2*	500 500 250	63,5x3* =2" 1/2x3* 40x2*	450 450 200	63,5x3* =2" 1/2x3* 40x2*	450 450 200

* Optional rollers



MC550 · MC550NC · MC550CNC			MC650 · MC650NC · MC650CNC		
Profile	Dimensions	Min. radius	Dimensions	Min. radius	
	60x15	400	100x15	1250	
	60x8	200		80x20	450
	50x15	350		60x15	300
	50x10	175		50x15	155
	40x8	150		20x10	140
	30x5	110			
	25x5	105			
	100x20	250	120x20	250	
	80x20	200	100x25	350	
	80x15	180	80x20	200	
	35x35	400	45x45	300	
	30x30	200	40x40	280	
	25x25	175	25x25	200	
	20x20	150	20x20	150	
	15x15	150			
	60x60x3	800	70x70x4	750	
	50x50x3	600	60x60x3	750	
	35x35x3	200	40x40x3	300	
	70x30x3	500	80x40x3	500	
	60x30x3	400	60x30x3	300	
	50x30x3	250	50x30x3	250	
	60x60x7	300	80*	500	
	50x50x6	250	70	400	
	40x40x5	200	60	200	
			40	150	
	60x60x7	500	80*	500	
	50x50x6	400	60	400	
	40x40x5	300	40	150	
	60x60x7	350	60x8	450	
	50x50x6	300			
	40x40x5	250			
	40x20x5	160	120*	600	
	60x30x6	200	100*	600	
	80x45x6	400	80	350	
	80x45x6	600	120*	700	
	60x30x6	250	100*	700	
	40x20x5	200	80	400	
	50x5	550	70x7	600	
	40x5	400	60x5	400	
			50x5	300	
			40x4	250	
	50x5*	750	50x5*	750	
	40x4*	500	40x4*	500	
	40	300	50	300	
	35	250	40	200	
	30	200	25	175	
	20	130			
	76,2x3* (3"x3")	500	101,6x3,5* (=4"x3")	500	
	40x2	180	100x3*	500	
	20x2	100	88,9x4* (=3"SCH)	700	
			35x2*	120	
			20x1,5*	115	

* Optional rollers

STANDARD ACCESSORIES DELIVERED WITH THE MACHINE

Standard rollers MC150B

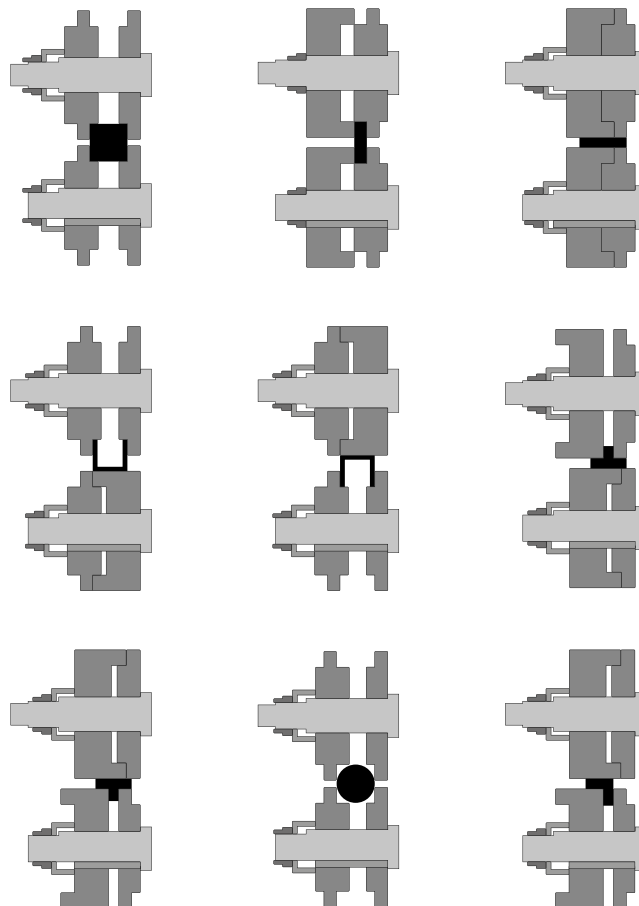
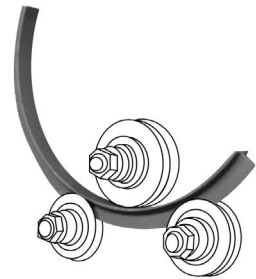


It's equipped with 9 standard pieces, by means of which the user can work all kinds of profiles. Square, rectangular pipe, solid round and square bars. U Profile, T profile, angle, flat bar, edged flat bar...

Adjustable rollers, by washers with the size of profile or pipe which allows us to make bending to different pipe or profile sizes.

Steel rollers F1140 treated and rectified.

Assembling of the rollers



OPTIONAL ACCESSORIES

High precision digital radius gauge



REF: 140-MED08-00001

The **High precision digital radius gauge** allows the user to have a direct and immediate reading of inner and outer radius in a range from 55 to 11.250 millimeters or from 2" to 443" inches.

The High precision digital radius gauge measures radii in spherical objects such as tubes, profiles and pipes in a quick and accurate way. It is really fast and easy to use! It indicates the inner or outer radius of the part we are bending *without removing it from the machine and without needing to previously draw and cut a guide template.*

This Digital arc meter allows the direct and immediate reading of the values of the inner or outer radius in a wide range of bends.

- > **Comfort:** No need to prepare and cut a template to know the radius of a bend, it is not necessary to remove the part from the machine to measure it either. The digital radius gauge makes the job quicker and easier.
- > **Easy to use:** Its use is simple and the measurement process is very fast. We only have to place the digital radius gauge on the internal or external part of the curve and it will automatically show the value.
- > **Multi-material:** This tool is suitable for any kind of solid and consistent materials like steel, wood or plastic shapes.
- > **High precision:** Its error tolerance over the radius is 0,01mm. Precision will depend on the surface quality of the material to measure.
- > **Application scope:** This digital radius gauge is supplied with three different high precision arc meters. The use of either one or other arch meter offers a measurement range swinging from 55 to 11.250 millimeters and from 2" to 443" inches.
- > **LCD digital screen:** Comfortable reading of all data and low power consumption.
- > **Practical:** It is small and light, we can easily use it for different measurements. It is comfortable, reliable and long lasting.
- > **Storage:** We deliver it inside a stainless briefcase, with an inner foam protection to keep it safe and protect the arc meter when it is not in use. It is comfortable to carry and shock-resistant.
- > **Two units of measure:** We can select either millimeters or inches just by pressing a button.
- > **Perfect for wide radii:** Unlike other manufacturers, the High Precision Arc Meter Nargesa can measure radii up to 12m with maximum precision. For bigger radii, please consult the manufacturer.
- > **Ideal for smaller radii:** The great touch sensor length allows its use even when the inner radius to measure is very tiny.

TECHNICAL SPECIFICATIONS

- > Measurement scope: From 55 to 11.250 millimeters or from 2" to 443" Inches.
- > Error tolerance over the touch sensor: $\Delta L = 0.02\text{mm}$
- > Error tolerance over the radius: $\Delta R = (0.01 * R)\text{mm}$
- > Power supply: 3V CR2032 Lithium battery
- > Working temperature: $0 \pm 40^\circ\text{C}$
- > Storage and transport temperature: $-20^\circ\text{C} - 60^\circ\text{C}$
- > Relative humidity: =80%

Arc meters supplied with the High precision digital radius gauge

100 Measurement arc



The 100mm High precision arc meter is supplied along with the High precision digital radius indicator.

This tool is attached to the arc meter to measure internal or external radii, amongst the following ranges:

Minimum radius: 55mm or 2"

Maximum radius: 625mm or 25"

200 Measurement arc



The 200mm High precision arc meter is supplied along with the High precision digital radius indicator.

This tool is attached to the arc meter to measure internal or external radii, amongst the following ranges:

Minimum radius: 125mm or 5"

Maximum radius: 2.500mm or 99"

300 Measurement arc



The 300mm High precision arc meter is supplied along with the High precision digital radius indicator.

This tool is attached to the arc meter to measure internal or external radii, amongst the following ranges:

Minimum radius: 475mm or 18"

Maximum radius: 11.250mm or 443"

Treated steel rollers · MC150B · MC200 · MC200H · MC400



Rollers made of Steel F-1140 and treated to 62 Rc. Suitable for bending all kind of round steel or stainless steel pipes.

*Always clean up the rollers well before using stainless steel not to get the pipe contaminated.
When the tube measurements are small, two measurements are added on the same roller.*



Tube size in mm		
Reference	Dimensions	Weight
140-08-01-RHT0007	(25 + 30)	17,00 Kg.
140-08-01-RHT0006	(20 + 35)	16,50 Kg.
140-08-01-RHT0001	40	16,60 Kg.
140-08-01-RHT0002	50	14,25 Kg.
140-08-01-RHT0003	60	11,10 Kg.
For Schedule pipe		
140-08-01-RHISOT0006	$(3/4" + 1/2") = (26,9 + 21,3 \text{ mm})$	17,70 Kg.
140-08-01-RHISOT0007	$(1" + 3/8") = (33,7 + 17,2 \text{ mm})$	17,00 Kg.
140-08-01-RHISOT0002	$1" 1/4 = 42,4 \text{ mm}$	16,00 Kg.
140-08-01-RHISOT0003	$1" 1/2 = 48,3 \text{ mm}$	14,40 Kg.
140-08-01-RHISOT0004	$2" = 60,3 \text{ mm}$	11,15 Kg.
For inches pipe		
140-08-01-RHWT-00001	$(1/2" + 1" 1/4) = (12,700 + 31,751 \text{ mm})$	18,00 Kg.
140-08-01-RHWT-00002	$(1" + 3/4") = (25,401 + 19,051 \text{ mm})$	18,50 Kg.
140-08-01-RHWT-00003	$1" 1/2 = 38,101 \text{ mm}$	17,25 Kg.
140-08-01-RHWT-00004	$2" = 50,802 \text{ mm}$	13,60 Kg.
140-08-01-RHWT-00005	$2" 1/2 = 63,502 \text{ mm}$	9,75 Kg.

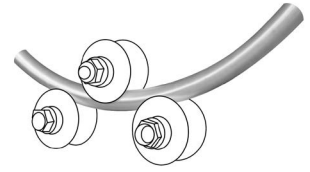
Sustarin Rollers · MC150B · MC200 · MC200H · MC400



Rollers made of Sustarin to bend round stainless steel pipes, aluminium and delicate materials with thickness not bigger than 2.5mm.

Sustarin rollers do not damage nor get the pipe contaminated.

When the tube measurements are small, two measurements are added on the same roller.



Tube size in mm		
Reference	Dimensions	Weight
140-08-01-RI0007	(25 + 30)	1,40 Kg.
140-08-01-RI0001	(20 + 35)	1,40 Kg.
140-08-01-RI0010	33	1,50 Kg.
140-08-01-RI0004	40	1,40 Kg.
140-08-01-RI0003	43	1,30 Kg.
140-08-01-RI0006	50	1,20 KG.
140-08-01-RI0008	60	0,90 KG.
For inches pipe		
140-08-01-RIW-00001	(1/2"+1"1/4) = (12,700 + 31,751 mm)	1,80 Kg.
140-08-01-RIW-00002	(1"+3/4") = (25,401 + 19,051 mm)	1,50 Kg.
140-08-01-RIW-00003	1"1/2 = 38,101 mm	1,40 Kg.
140-08-01-RIW-00004	2" = 50,802 mm	1,20 Kg.
140-08-01-RIW-00005	2"1/2 = 63,502 mm	0,90 Kg.

OUR RANGE OF BENDING MACHINES



MC150B

- > Two drive rollers.
- > Diameter of axes: 40 mm.
- > Useful axes length: 74 mm.
- > Center distance between lower axes: 230 mm.
- > Maximum capacity for bending round pipe: 2" inches or 50 mm.



MC200

- > Diameter of axes: 40 mm.
- > Useful axes length: 74 mm.
- > Center distance between lower axes: 286 mm.
- > Maximum capacity for bending round pipe: 2" 1/2 inches or 63.5 mm.



MC400

- > Three drive rollers.
- > Diameter of axes: 40 mm.
- > Useful axes length: 80 mm.
- > Maximum capacity for bending round pipe: 2" 1/2 inches or 63.5 mm.
- > Independent bending regulation of the lower rollers.



MC200H

- > Two drive rollers.
- > Diameter of axes: 40 mm.
- > Useful axes length: 74 mm.
- > Center distance between lower axes: 286 mm
- > Maximum capacity for bending round pipe: 2" 1/2 inches or 70 mm.



MC550

- > Three drive rollers.
- > Diameter of axes: 50 mm.
- > Useful axes length: 90 mm.
- > Max. capacity for bending round pipe: 3" inches (76,2 mm) or 80mm
- > Independent bending regulation of the lower rollers.



MC650

- > Three drive rollers.
- > Diameter of axes: Lower 65 mm / Upper 80 mm.
- > Useful axes length: 130 mm.
- > Maximum capacity for bending round pipe: 4" inches or 101,6 mm.
- > Independent bending regulation of the lower rollers.

OUR RANGE OF MACHINERY



IRON WORKERS



SECTION BENDING
MACHINES



NON-MANDREL PIPE
BENDER



HORIZONTAL PRESS
BRAKES



TWISTING/SCROLL
BENDING MACHINES



HYDRAULIC PRESS
BRAKES



HYDRAULIC SHEAR
MACHINES



GAS FORGES



IRON EMBOSSING
MACHINES



END WROUGHT IRON
MACHINES



BROACHING MACHINES



POWER HAMMERS



PRESSES FOR LOCKS

WARRANTY

Nargesa machines have 3 years warranty provided that the customer registers it in our website. Otherwise it would be only one year warranty. This one encloses any manufacturing default all along these 3 years for components. Any misuse is excluded from this condition. Labor, back and forth shipping and any eventual repair, are not included in this warranty.

Partner companies



SHIPMENT EVERYWHERE

Nargesa will arrange transport up to final destination, whenever the customers asks for so. There is also the possibility for the customer to arrange the shipment himself with his own agency.

TECHNICAL ASSISTANCE

All our customers have access to technical support quickly and efficiently. 90% of incidences are solved out on the phone, mail, Skype or videoconferencing in less than 24hours. In case of needing presencial technical assistance, we may as well send a technician to the customer's facilities.

Follow us on

PRADA NARGESA, S.L.

Ctra. De Garrigàs a Sant Miquel s/n
17476 Palau de Santa Eulalia (Girona) Spain
Tel. +34 972 568 085

www.nargesa.com

nargesa@nargesa.com



This information might undergo changes