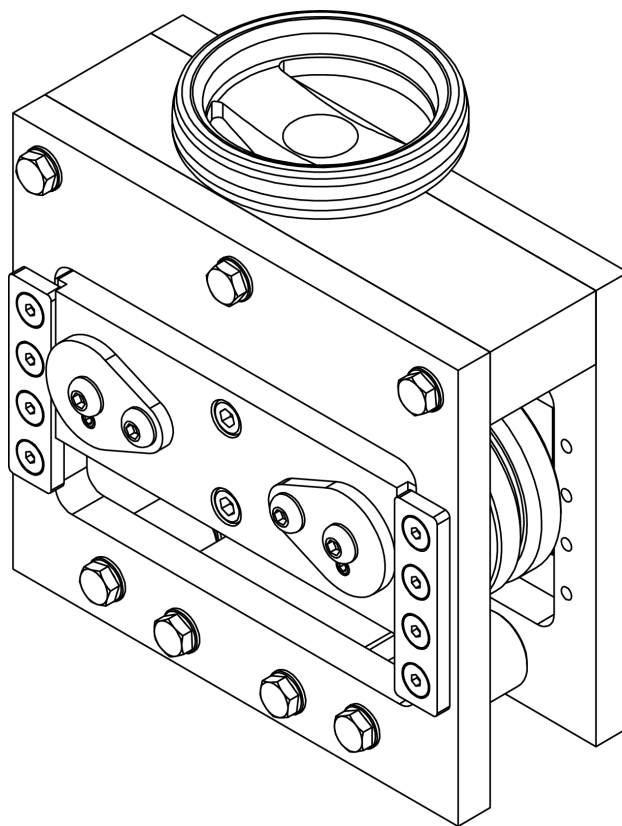


# Inlet guide for edge square bar

Ref. 140-11-01-00027

## NOA60



### TECHNICAL FEATURES

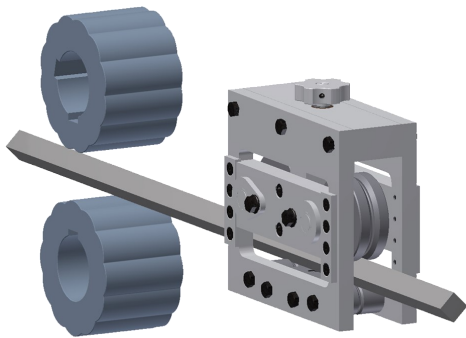
PRADA NARGESA, S.L  
Ctra. de Garrigàs a Sant Miquel s/n  
17476 Palau de Santa Eulàlia (GIRONA) SPAIN Tel.  
972 568085 - nargesa@nargesa.com  
www.nargesa.com

## INDICE

- 1. Description of tooling**
- 2. Identification of elements**
- 3. Setting up the tooling**
- 4. Performance**
- 5. Warnings**
- 6. List of parts**

## 1. Description of tooling

- ▶ Inlet guide for edge square bar

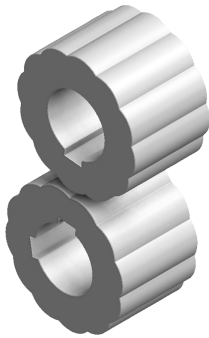


Inlet guide to emboss edge square bar up to 20mm or 3/4" inch

**Ref: 140-11-01-00027**

Weight: 18 Kg

- ▶ To emboss edge square bar, one **set of embossing rollers 140-11-01-00026** is required



*Rollers to emboss handrail up to 60 mm and square bar up to 20 mm or 3/4" inch*

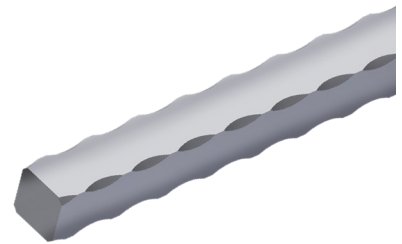
**Ref: 140-11-01-00026**

*Set per machine: 1*

*Weight : 11,4 Kg*

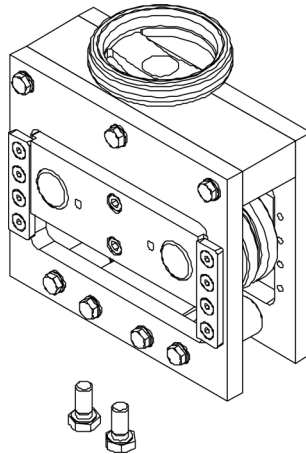
*Guide 140-11-01-00401, 140-11-01-00402, 140-11-01-00400 or 140-11-01-00300 is required*

*Ask the manufacturer about different dimensions*



## 2. Identification of elements

The inlet guide to emboss solid square bar on the edge up to 20 mm or 3/4" inches is supplied completely assembled with all necessary bolts to fix it to the machine.

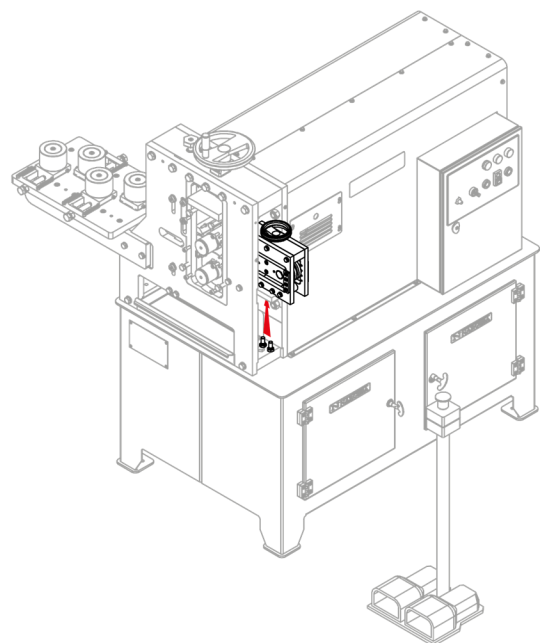
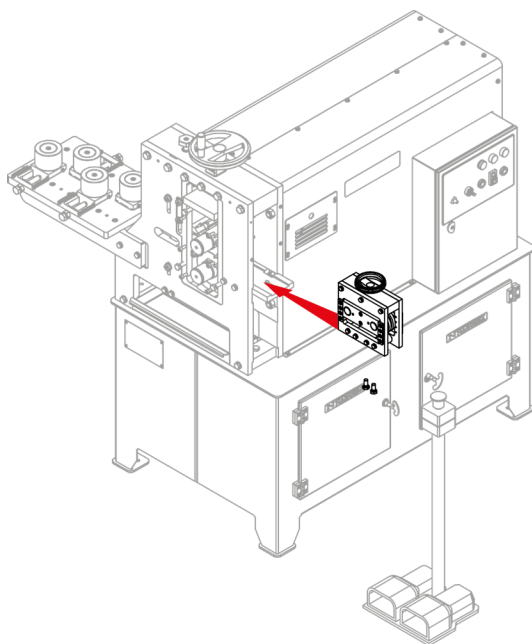


## 3. Setting up the tooling

In order to fix the tooling to the embossing machine NOA60, it is required to adjust it by fastening the bolts at the inlet guide of the machine as indicated in the pictures below:

1. Insert the tooling in the inlet guide of the machine.

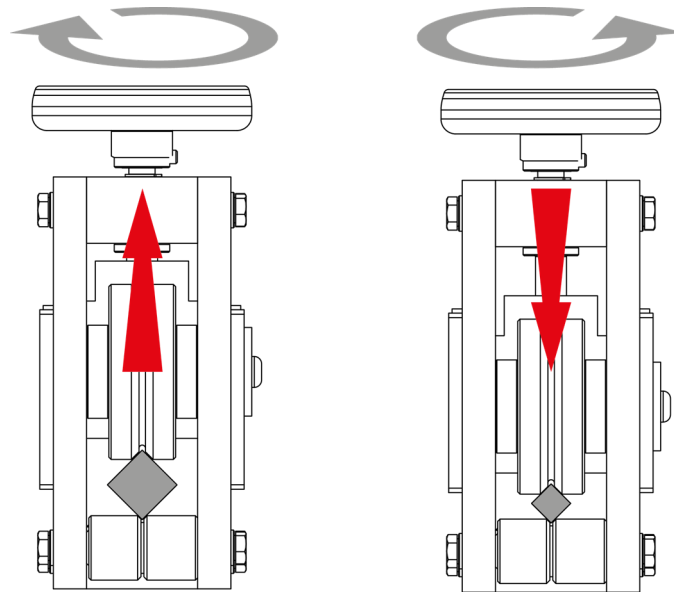
2. Fasten both fixing bolts to the tooling by the lower part of the inlet guide of the machine.



#### 4. Performance

In order to start working with the inlet guide to emboss solid square bar on the edge, it is required to adjust the upper rollers to the material. Turning clockwise around the upper Wheel of the tooling, these upper rollers will move upwards. By turning the upper Wheel anti-clockwise, the upper rollers will go downwards.

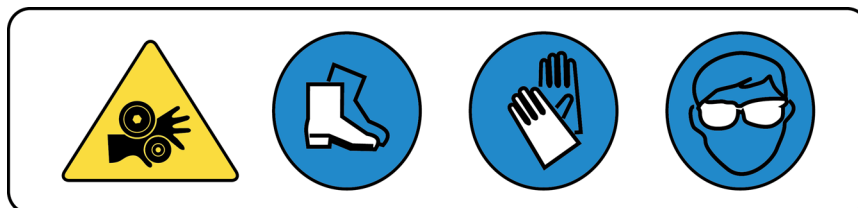
We should make sure the material is properly fixed and that it keeps its position.



#### 5. Warnings

Keep the following instructions to safely use the Inlet guide for square bar on the edge:

- Do not set or remove the tooling while the machine is running.
- Do not use the tooling for any other purpose but the ones described on this handling booklet.
- Use protection gloves to manipulate components and during the working process
- Use homologated protection goggles and shoes.
- Hold the base material.



**6. List of parts**

Nº Despiece

140-11-01-00027

| PLANO DE ENSAMBLAJE                          |                 | Ref. del ensamblaje                                   | Nombre     | Fecha      |
|----------------------------------------------|-----------------|-------------------------------------------------------|------------|------------|
|                                              |                 | 140-11-01-00027                                       | Tecnico20  | 19/05/2016 |
|                                              |                 | Mqg. 100-11-01-0002                                   | Verificado |            |
|                                              |                 | N/D                                                   | NOM40      |            |
|                                              |                 | revestimiento                                         |            |            |
| <p><b>UTIL ENTRADA CUADRADO AL CANTO</b></p> |                 |                                                       |            |            |
| 1                                            | 125-11-01-00031 | RODILLO GUIA ENTRADA CUADRADO DIAGONAL                | 2          |            |
| 2                                            | 125-11-01-00032 | GUIA MOVIL 2                                          | 2          |            |
| 3                                            | 125-11-01-00033 | SOPORTE CENTRAL RODILLOS ENTRADA                      | 1          |            |
| 4                                            | 125-11-01-00034 | PLACA SUPERIOR ENTRADA CUADRADO                       | 1          |            |
| 5                                            | 020-D912-M8X20  | TORNILLO ALLEN DIN 912 M8X20                          | 4          |            |
| 6                                            | 020-D933-M8X25  | TORNILLO HEXAGONAL DIN 933 M8X25                      | 14         |            |
| 7                                            | 125-11-01-00035 | ARANDELA BRONCE                                       | 1          |            |
| 8                                            | 125-11-01-00036 | ARANDELA LATERAL BRONCE RODILLOS ENTRADAS             | 4          |            |
| 9                                            | 030-DP-00013    | DOLLA PARTIDA D30XD34X30                              | 2          |            |
| 11                                           | 030-D471-00002  | CIRCLIP EJE DIN 471 Ø12x1                             | 1          |            |
| 12                                           | 125-11-01-00040 | ANCLAJE RODILLOS ENTRADA                              | 1          |            |
| 13                                           | 125-11-01-00030 | PLACA LATERAL GUIA ENTRADA                            | 2          |            |
| 14                                           | 125-11-01-00041 | RODILLO INFERIOR ENTRADA                              | 2          |            |
| 15                                           | 030-DP-16X22X20 | Casquillo partido D16XD22X20                          | 4          |            |
| 16                                           | 125-11-01-00042 | EJE RODILLO INFERIOR                                  | 2          |            |
| 17                                           | 125-11-01-00043 | GUIA LATERAL                                          | 4          |            |
| 21                                           | 125-11-01-00037 | EJE REGULACION RODILLOS                               | 1          |            |
| 28                                           | 020-D7991-M6X12 | TORNILLO ALLEN DIN 7991 M6x12                         | 16         |            |
| 29                                           | 020-D125B-M8    | Arandela DIN 125-B M8 Zincada                         | 14         |            |
| 30                                           | 031-VOL-00005   | VOLANTE D100 AGUJERO D12                              | 1          |            |
| 31                                           | 020-D914-M6X10  | ESPIGA ALLEN DE PUNTA DIN 914 M6X10                   | 1          |            |
| 32                                           | 125-11-01-00053 | BULON SUPERIOR RODILLOS ENTRADA                       | 2          |            |
| 33                                           | 125-11-01-00052 | OREJA FIJACION BULONES RODILLOS ENTRADA               | 2          |            |
| 34                                           | 020-7380-M8X20  | TORNILLO ALLEN CABELA REDONDA ISO 7380 M8X20 PAVONADO | 4          |            |
| 35                                           | 020-D913-M6X16  | ESPARRAGO ALLEN DIN 913 M6x16                         | 2          |            |

Che. el contrato de compra. Material: 140-11-01-00027. E-mail: info@nargesa.com  
 Entre planes y programas de Prada Nargesa S.L. No podrá ser reproducido, comunicado o alterado sin el consentimiento por su propietario.